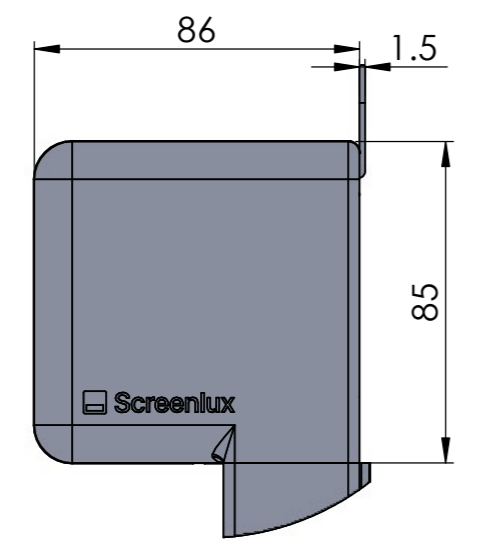
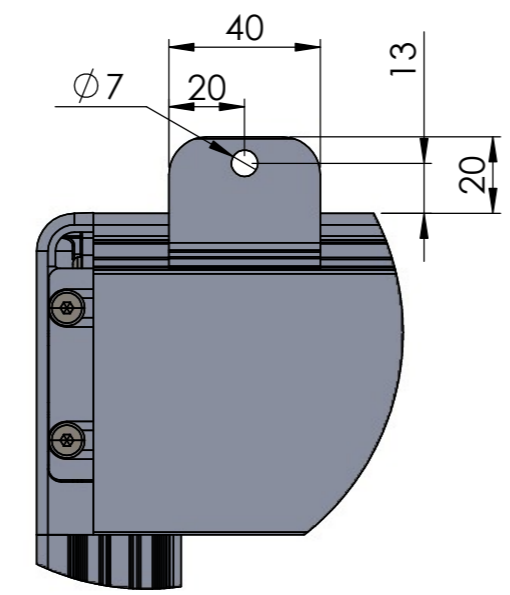


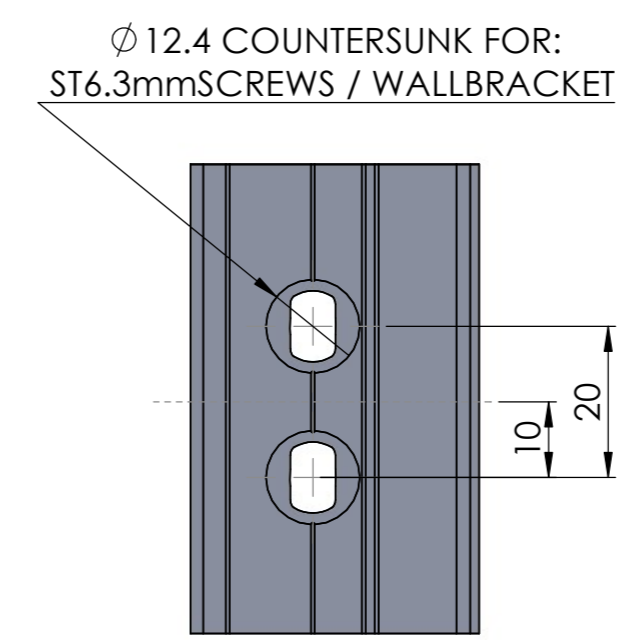
SECTION A-A
SCALE 1 : 1



DETAIL B
SCALE 1 : 2

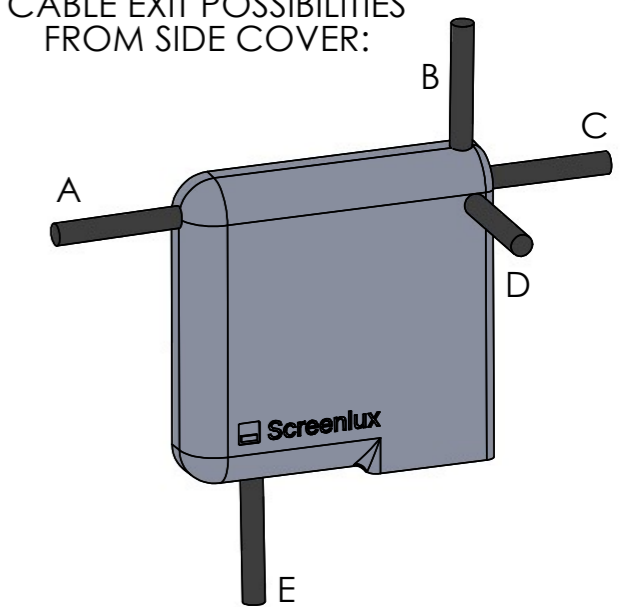



DETAIL C
SCALE 1 : 2

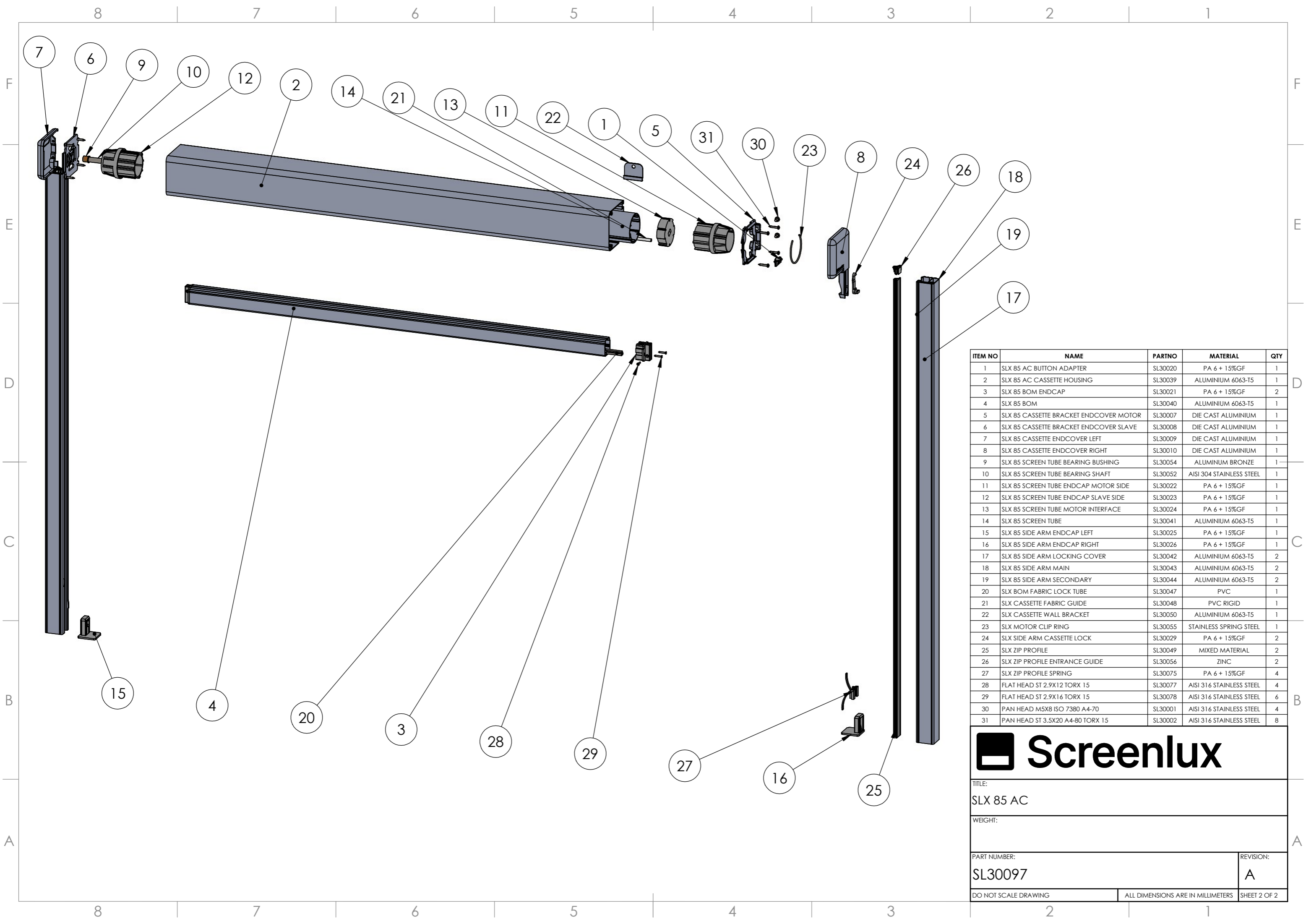


SECTION D-D
SCALE 1 : 1


CABLE EXIT POSSIBILITIES FROM SIDE COVER:



		
		TITLE: SLX 85 AC
WEIGHT:		
PART NUMBER: SL30097	REVISION: A	
DO NOT SCALE DRAWING	ALL DIMENSIONS ARE IN MILLIMETERS	SHEET 1 OF 2



ITEM NO	NAME	PARTNO	MATERIAL	QTY
1	SLX 85 AC BUTTON ADAPTER	SL30020	PA 6 + 15%GF	1
2	SLX 85 AC CASSETTE HOUSING	SL30039	ALUMINIUM 6063-T5	1
3	SLX 85 BOM ENDCAP	SL30021	PA 6 + 15%GF	2
4	SLX 85 BOM	SL30040	ALUMINIUM 6063-T5	1
5	SLX 85 CASSETTE BRACKET ENDCOVER MOTOR	SL30007	DIE CAST ALUMINIUM	1
6	SLX 85 CASSETTE BRACKET ENDCOVER SLAVE	SL30008	DIE CAST ALUMINIUM	1
7	SLX 85 CASSETTE ENDCOVER LEFT	SL30009	DIE CAST ALUMINIUM	1
8	SLX 85 CASSETTE ENDCOVER RIGHT	SL30010	DIE CAST ALUMINIUM	1
9	SLX 85 SCREEN TUBE BEARING BUSHING	SL30054	ALUMINIUM BRONZE	1
10	SLX 85 SCREEN TUBE BEARING SHAFT	SL30052	AISI 304 STAINLESS STEEL	1
11	SLX 85 SCREEN TUBE ENDCAP MOTOR SIDE	SL30022	PA 6 + 15%GF	1
12	SLX 85 SCREEN TUBE ENDCAP SLAVE SIDE	SL30023	PA 6 + 15%GF	1
13	SLX 85 SCREEN TUBE MOTOR INTERFACE	SL30024	PA 6 + 15%GF	1
14	SLX 85 SCREEN TUBE	SL30041	ALUMINIUM 6063-T5	1
15	SLX 85 SIDE ARM ENDCAP LEFT	SL30025	PA 6 + 15%GF	1
16	SLX 85 SIDE ARM ENDCAP RIGHT	SL30026	PA 6 + 15%GF	1
17	SLX 85 SIDE ARM LOCKING COVER	SL30042	ALUMINIUM 6063-T5	2
18	SLX 85 SIDE ARM MAIN	SL30043	ALUMINIUM 6063-T5	2
19	SLX 85 SIDE ARM SECONDARY	SL30044	ALUMINIUM 6063-T5	2
20	SLX BOM FABRIC LOCK TUBE	SL30047	PVC	1
21	SLX CASSETTE FABRIC GUIDE	SL30048	PVC RIGID	1
22	SLX CASSETTE WALL BRACKET	SL30050	ALUMINIUM 6063-T5	1
23	SLX MOTOR CLIP RING	SL30055	STAINLESS SPRING STEEL	1
24	SLX SIDE ARM CASSETTE LOCK	SL30029	PA 6 + 15%GF	2
25	SLX ZIP PROFILE	SL30049	MIXED MATERIAL	2
26	SLX ZIP PROFILE ENTRANCE GUIDE	SL30056	ZINC	2
27	SLX ZIP PROFILE SPRING	SL30075	PA 6 + 15%GF	4
28	FLAT HEAD ST 2.9X12 TORX 15	SL30077	AISI 316 STAINLESS STEEL	4
29	FLAT HEAD ST 2.9X16 TORX 15	SL30078	AISI 316 STAINLESS STEEL	6
30	PAN HEAD M5X8 ISO 7380 A4-70	SL30001	AISI 316 STAINLESS STEEL	4
31	PAN HEAD ST 3.5X20 A4-80 TORX 15	SL30002	AISI 316 STAINLESS STEEL	8



TITLE:
SLX 85 AC

WEIGHT:

PART NUMBER:
SL30097

REVISION:
A

DO NOT SCALE DRAWING ALL DIMENSIONS ARE IN MILLIMETERS SHEET 2 OF 2